



**PORTABLE
SOLUTIONS**



**200 SERIES
SELF-CONTAINED
PORTABLE LAVATORIES**

Product Overview

The 200W is JobJon Portable Solutions' innovative response to evolving demands in the realm of temporary restroom solutions. As urban work sites increasingly call for reduced footprints and limited space for construction trailers, and major public events such as outdoor concerts, conferences, or festivals steer away from multi-stall lavatories and portable toilets, the 200W steps in to meet these challenges head-on. Even in scenarios where access to sewer and water services poses a significant hurdle, the 200W can be effortlessly deployed to provide your team with the modern conveniences they've grown accustomed to.

Key Features:

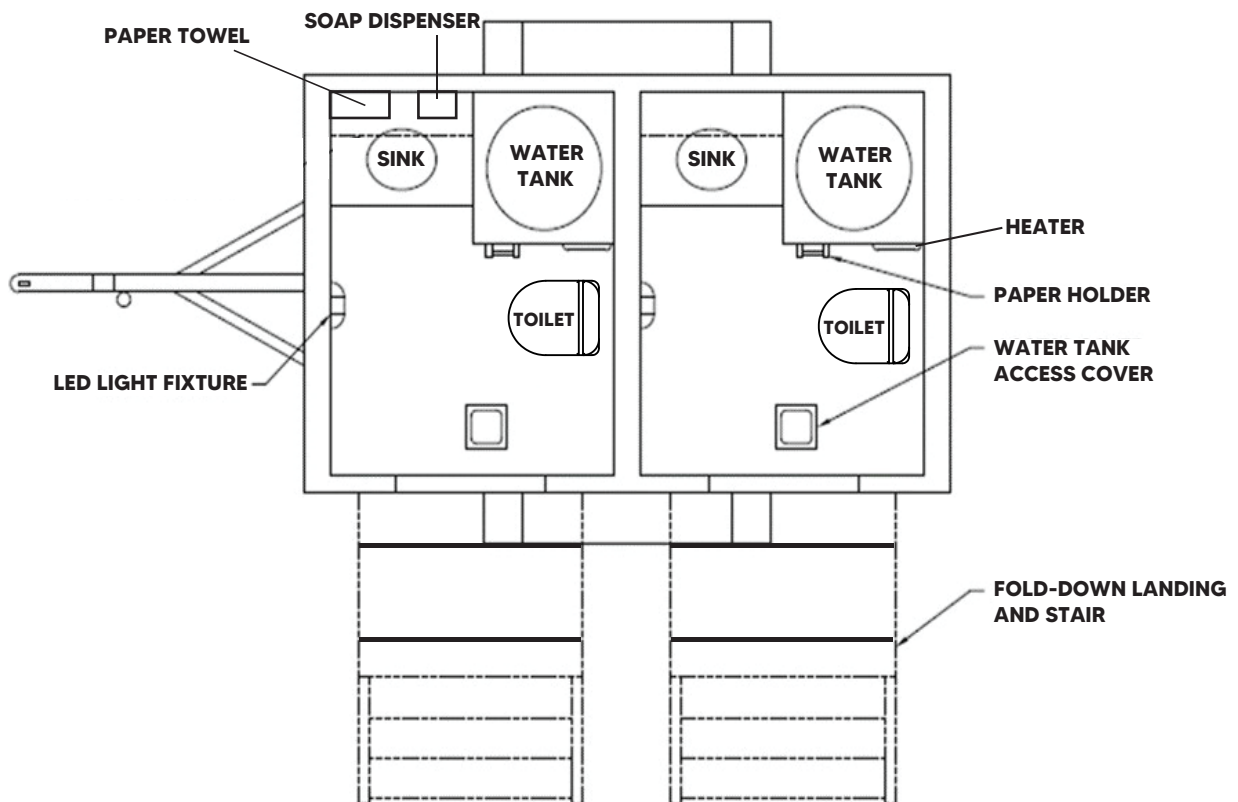
- Compact and rugged in design, measuring 6' x 10'.
- Includes built-in fold-down stairs and railings.
- Facilitates easy drop off and setup.
- The 200W boasts an impressive 236 gallons of fresh water, and 240 gallons of sewage capacity, eliminating the need for on-site services or additional water/sewage tanks.
- Equipped with a 2" Ball Hitch.
- Powered by 120 Volt, 15 AMP for convenience.
- Simple setup, maintenance, and winterization procedures.
- For larger sites, the 200W is also available in a four-stall layout.
- Ensures sanitation with a fully-loaded below-counter HOT WATER system.
- Complements your existing site modules by offering two private toilet stalls complete with standard wash-room amenities such as mirrors, sinks, and paper towel dispensers.
- Equipped with heating and heat tracing capabilities to withstand harsh northern winters.





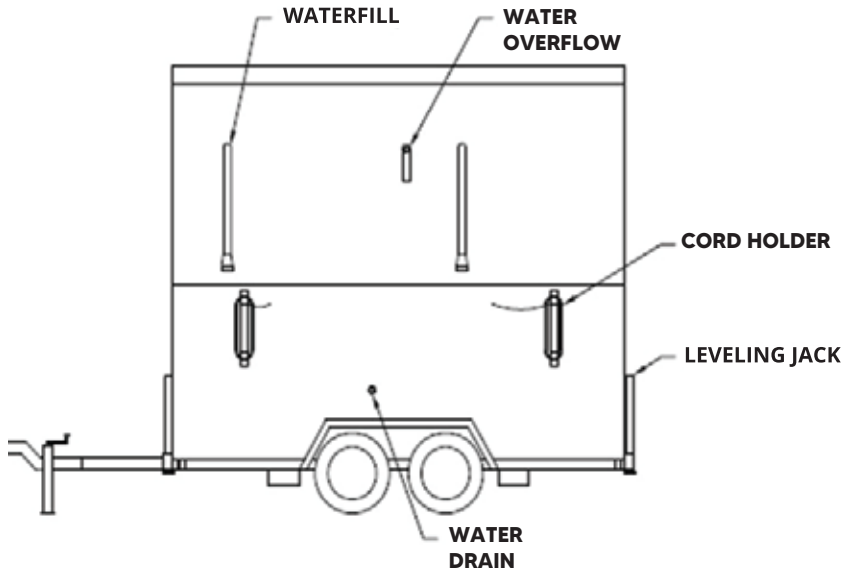
JobJon's Self-Contained 200 series washrooms offer immaculate spaces that cater to your business needs and destinations with utmost cleanliness and convenience.

FLOOR PLAN

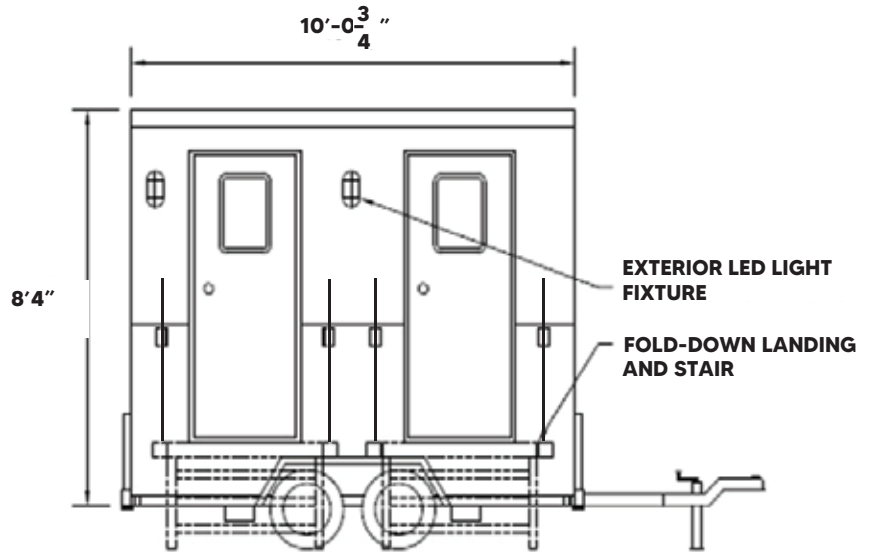


EXTERIOR VIEW

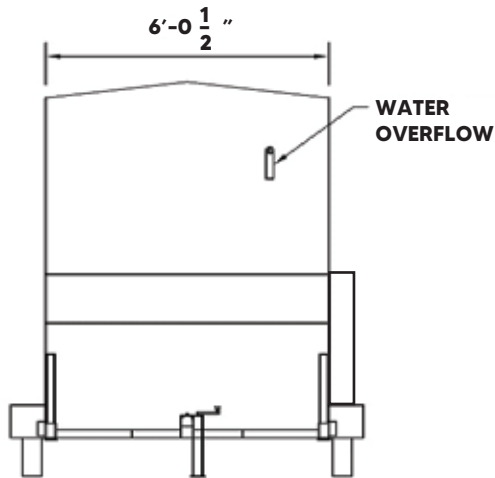
LEFT VIEW



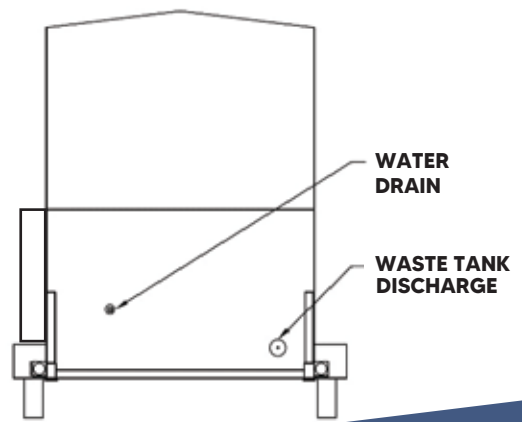
RIGHT VIEW



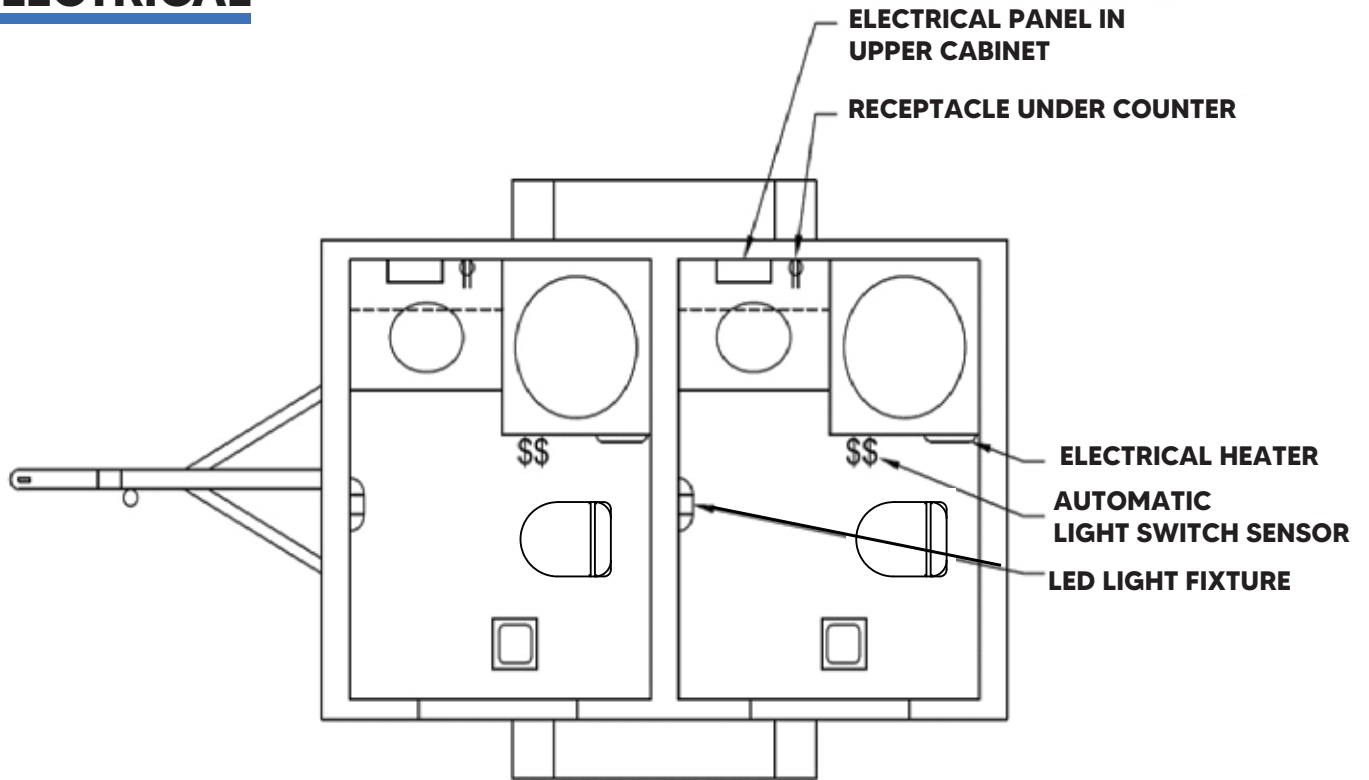
FRONT VIEW



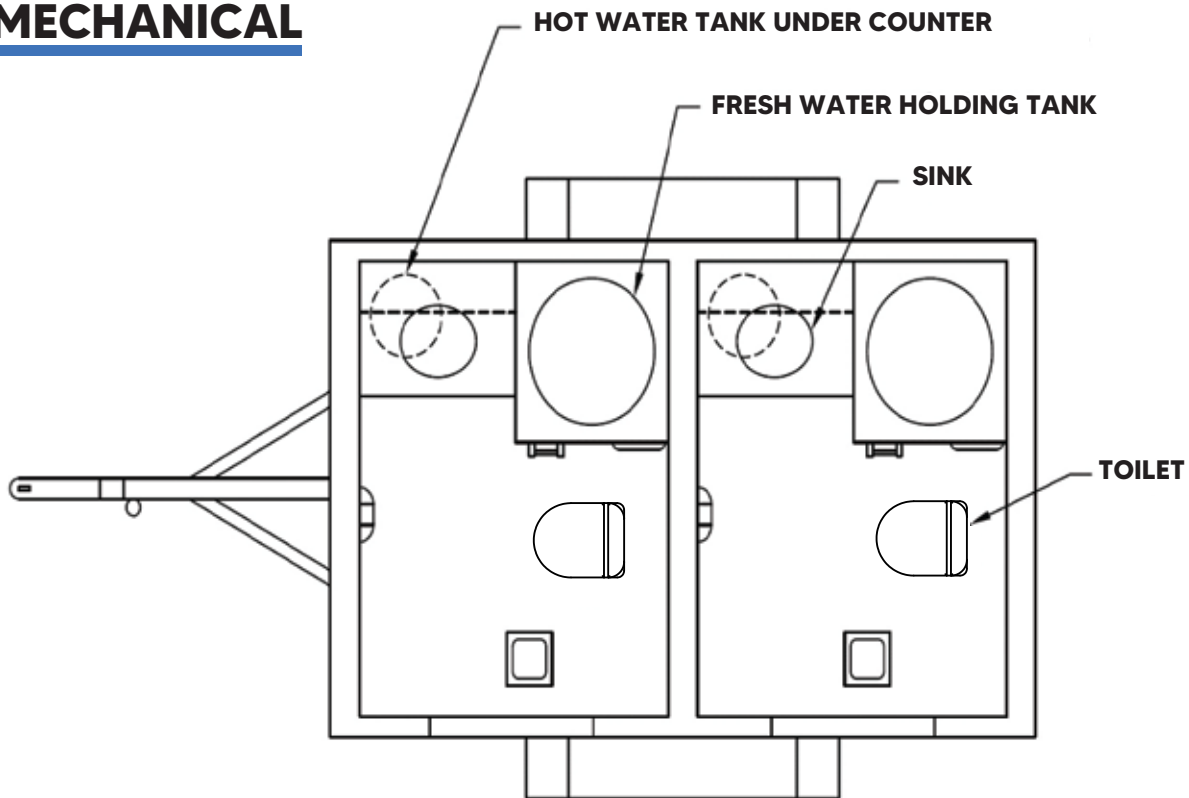
REAR VIEW



ELECTRICAL

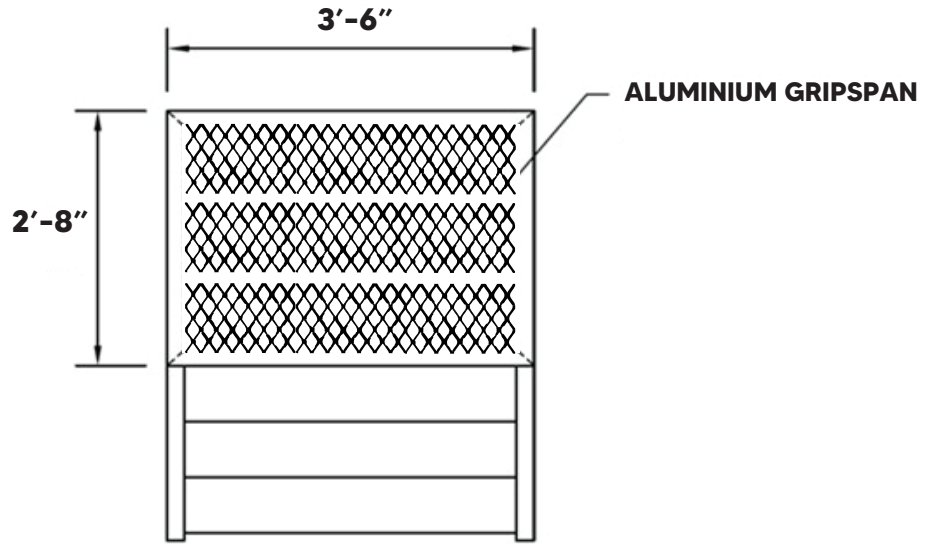


MECHANICAL

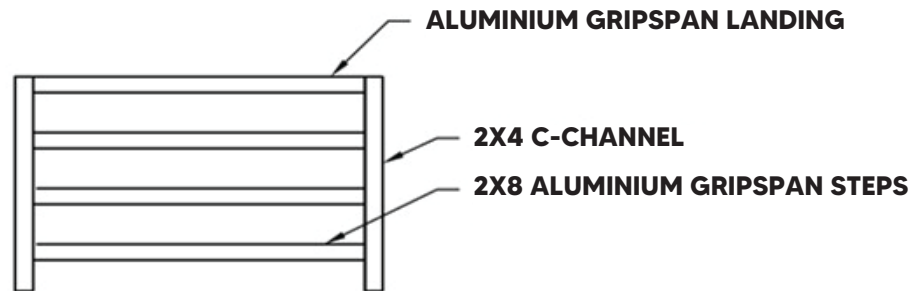


FOLD-DOWN LANDING AND STAIRS

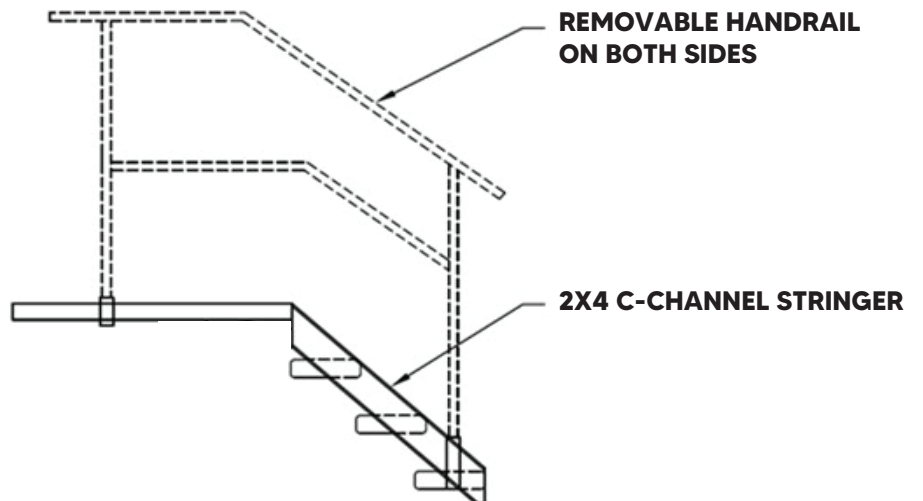
TOP VIEW



FRONT VIEW



SIDE VIEW





PORTABLE SOLUTIONS

735 ROBLIN BLVD. E, R6W 0N2
Canadian Clients: (204) 502-1933
USA Clients: 1-701-433-9002

